



# MAXIMATIC® FILTERS



**MMF-3Q-D**  
Filter with Bowl  
Shield & Auto  
Drain



**MMF-2Q**  
Filter with  
Polycarbonate  
Bowl & Manual  
Drain



**MMF-2Q-D**  
Filter with  
Polycarbonate Bowl &  
Automatic Drain



**MMF-2Q-MD**  
Filter with Metal  
Bowl & Manual  
Drain

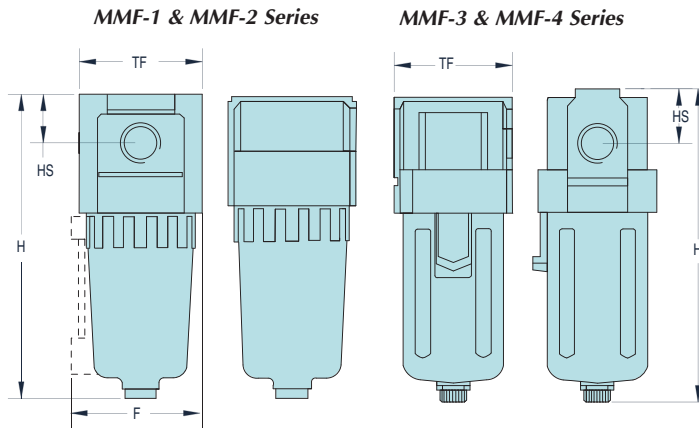
Maximatic® filters remove moisture and contaminants, and provide air filtration through a 25 micron filter. Replacement 25 micron and 5 micron filters are available.

- Semi-automatic drain standard on MMFRLS-3/4/5 series. Manual drain standard on all others. Optional Automatic Drain available—add “-D” to Part Number.

**Bowl:** Polycarbonate standard. Cast steel shield provided on models indicated. Metal bowl with sight gauge also available, add “-M” to the end of the Part Number.

**Filtration:** 25 micron filter standard. Add “-F5” to Part Number for optional 5 micron filter.

Filter	F	H	HS	TF
<u>MMF-1</u>	--	2.60 (66.0)	0.28 (7.1)	0.98 (24.9)
<u>MMF-2</u>	1.81 (50.0)	3.84 (97.5)	0.43 (10.9)	1.57 (39.9)
<u>MMF-3</u>	2.26 (57.4)	5.22 (132.6)	0.55 (14.0)	2.09 (53.1)
<u>MMF-4W/4Z</u>	3.00 (76.2)	6.63 (168.4)	0.71 (18.0)	2.76 (70.1)
<u>MMF-4A-M</u>	3.00 (76.2)	6.79 (172.5)	0.79 (19.8)	2.76 (70.1)
<u>MMF-5B-M</u>	3.00 (76.2)	9.74 (247.4)	0.94 (23.9)	3.54 (89.9)



**MAXIMUM**  
Value. ←  
→ Performance.

Part No.	Port	Flow Rate	Bowl Shield
<u>MMF-1N</u>	#10-32	4 scfm 110 l/min	no
<u>MMF-2P</u>	1/8" NPT	26 scfm 750 l/min	no
<u>MMF-2Q</u>	1/4" NPT	26 scfm 750 l/min	no
<u>MMF-3Q</u>	1/4" NPT	70 scfm 2,000 l/min	yes
<u>MMF-3W</u>	3/8" NPT	70 scfm 2,000 l/min	yes
<u>MMF-4W</u>	3/8" NPT	140 scfm 4,000 l/min	yes
<u>MMF-4Z</u>	1/2" NPT	140 scfm 4,000 l/min	yes
<u>MMF-4A-M*</u>	3/4" NPT	210 scfm 6,000 l/min	n/a
<u>MMF-5B-M*</u>	1" NPT	245 scfm 7,000 l/min	n/a

\* Metal bowl standard